

DRY STEAM SOLUTIONS FOR THE FOOD AND BAKING INDUSTRIES



The Eagle Series 10-40kW Portable Steam Cleaners.

- ★ Clean and Sanitize
NO Chemicals!
- ★ Perfect for Automatic
Belt Cleaning
- ★ Clean Conveyor Belts
Without Stopping
Production
- ★ Safe & Easy to Use!
- ★ Meets Sustainability Targets
- ★ 95-99% Water Savings
- ★ Saves Labor &
Downtime



A Steam Tool Accessories Kit is provided with every Eagle Series Machine so you get the maximum benefit from your investment.

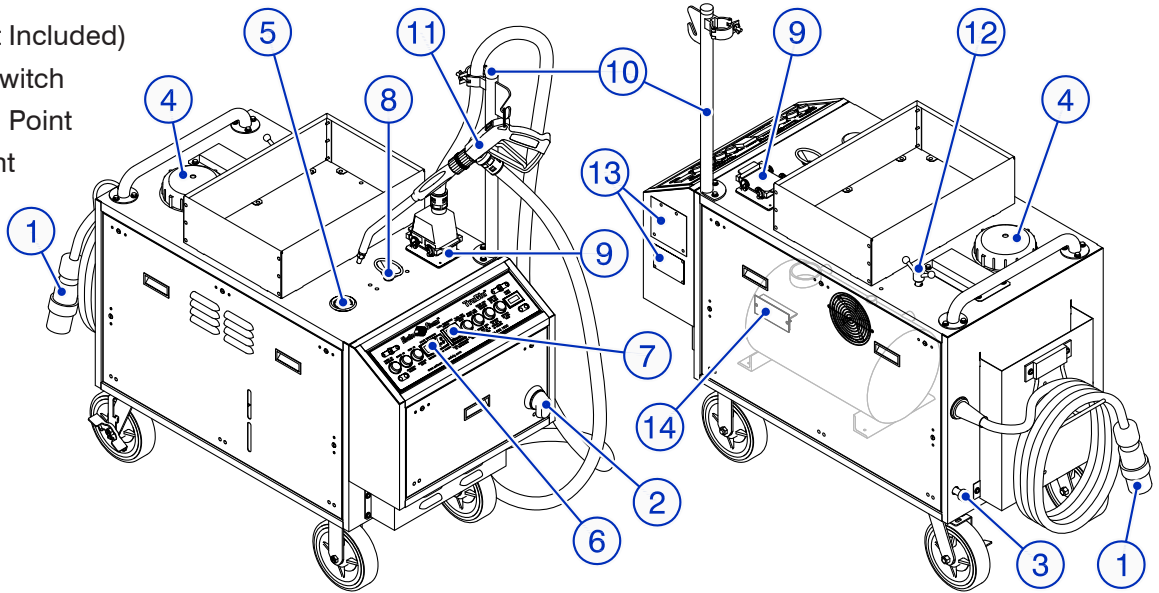
Electro-Steam™ Generator Corp.
Food Safety Division
5895 Shiloh Rd. Suite 105
Alpharetta, GA 30005



Phone: 678-271-9200
Toll Free: 866-692-1600
www.electrosteam.com
sales@electrosteam.com

TECHNICAL SPECIFICATIONS

1. High Voltage Plug (Not Included)
2. Main ON/OFF Power Switch
3. Water Inlet Connection Point
4. Reservoir Tank Fill Point
5. Pressure Gauge
6. Temperature Display
7. **TruBlu™** Temperature Display/Control *1
8. Steam Control Valve
9. Steam Gun Connector
10. Steam Hose Holder
11. Steam Gun
12. Drain Valve Handle
13. Generator Name Plate
14. Boiler Chamber National Board Plate



*1 Only Supplied with the **TruBlu™** Super-Heater Option.

MODEL NUMBER		EAG LG-10	EAG LG-20	EAG LG-30	EAG LG-40
Power Rating	KW	10	20	30	40
Boiler Horse Power	BHP	1	2	3	4
Gross Steam Capacity *2	LBS/HR	34.5	69	103.5	138
Gross BTU Output *2	BTU/HR	33,475	66,950	100,425	133,900
Water Consumption *2	GAL/HR	4.13	8.27	12.4	16.54
Amperage @ 208VAC 3Ø	AMPS	28	56	83	-
Amperage @ 480VAC 3Ø	AMPS	12	24	36	48
Boiler Chamber MAX Capacity	GAL	6			
Boiler Chamber Fill Capacity	GAL	4.2			
Reservoir Tank MAX Capacity	GAL	7.5			
Reservoir Tank Fill Capacity	GAL	6.4			
Shipping Weight	LBS	450			
DIMENSIONS *3					
Height (Overall)	INCHES	58			
Length (Overall)	INCHES	58			
Width (Overall)	INCHES	24			

*2 Calculated based on 212°F feed-water. Lower temperatures reduce steam output accordingly. We do not recommend feed-water temperatures above 140°F. Please contact our office with any questions. (866-692-1600)

*3 Does not include additional space for opening any panel for maintenance, for plumbing, or for any accessories.



Electro-Steam™ Generator Corp.
 Food Safety Division
 5895 Shiloh Rd. Suite 105
 Alpharetta, GA 30005



Phone: 678-271-9200
 Toll Free: 866-692-1600
 www.electrosteam.com
 sales@electrosteam.com